

Communicator

Newsletter of Fernvale Community Church

Pastors Greg & Ann Muller
Phone: 07 5426 7878
PO Box 22, Fernvale 4306
14 June 2009

www.fernvalechurch.org.au



Guest Speaker Sunday 9.30 am Church Service 21 June 2009



Wendy, Darcie and Dean

Dean Taylor will be our guest speaker on Sunday 21 June at 9.30am at Fernvale.
It's next week!

Dean grew up in Newcastle, NSW, surfing and playing on many sports teams. Upon finishing a science degree, Dean worked in the Cardiology Unit of John Hunter Hospital, Newcastle and then did a diploma in teaching. It was around this time he experienced God's call to ministry and while teaching at a Christian high school he had a transforming experience of the Holy Spirit, which consequently altered the direction of his life.

Dean and his wife, Wendy, moved to Brisbane in 1995 where Dean graduated from the Baptist Theological College with a Diploma in Ministry. They were then led to Kenneth Hagin Ministries on the Gold Coast in 1997, where he completed studies before entering into itinerant ministry in 1999. During this season, Dean was given a full-time instructors position at Rhema Bible Training Centre until moving into a teaching/pastoral position at Destiny Church in 2003, which he continues in today.

While continuing in his role at his home church, Dean has been led by the Lord to also serve the wider Body of Christ. Operating in prophetic teaching, his mandate and passion is to see Christians being built up in strong faith and operating in greater demonstrations of the Kingdom.

See more on www.deantaylor.com.au

Don't miss this exciting opportunity!

Next "Spirit Fire" Evening Service

A combined service of Fernvale Community Church & Lowood Christian Church


Where: Railway St, Lowood (opposite Mitre 10)
When: 21 June 2009 at 6.00 pm





There will be some baptisms and **Dean Taylor** will speak at this service as well. This service is designed to build your faith as well as connect with people who travel outside the area for church and to reach the unsaved. **Invite all your Christian and "yet to be saved" friends.** If you are thinking of being baptised, speak to Greg about this opportunity.

Spirit Fire's purpose is to encourage all to live an abundant, Spirit-filled life. It is open to all and it is hoped that Christians from all backgrounds and denominations will join together at this once-per-month service. It will usually be on the 3rd Sunday of each month.

Grace is a Gift

When we work an eight-hour day and receive eight hours' pay for our efforts, that is a **WAGE**. 

When we compete with an opponent and receive a trophy for our superior performance, that is a **PRIZE**. 

 When we receive something in recognition for our service or achievement, that is an **AWARD**.

But when we can earn no wage, can win no prize and deserve no award – yet we receive such a gift – that is unmerited favour. That is **GRACE**.

*This righteousness from God comes through faith in Jesus Christ to all who believe. There is no difference, for all have sinned and fall short of the glory of God, and are justified freely by his **grace** through the redemption that came by Christ Jesus.*
Romans 3:22-24 (New International Version)

As we gather to worship, Lord, may every heart be open to your Spirit and the guidance you have for us today.

Help David Williams raise money for the Dalit Children of India

The first CAP Money Course will commence on **Monday 13 July at 7.15 pm sharp.**

It will run for 3 consecutive Monday nights.

Where?: Fernvale Futures Centre (it has heating!)

Cost? : Free. But need to register (see below)

For Who?: Open to all people (Church and Community) who would like to have greater control of their finances rather than being controlled by their finances.

*This first course is **limited to 8 delegates.** To register either go to www.capmoney.org (preferred registration method), click on 'find a course' and follow links ('QLD', 'Fernvale', 'Log in to CAP Money Online to join this course', 'New Delegate? Sign up now') or register via Delegates Registration Form on the table at the entry to the Fernvale Community Hall on Sunday mornings. Further enquiries can be made to Dave Hutton, Greg & Ann Muller.*

I am taking part in an event to raise funds for Gospel for Asia's Bridge of Hope program which helps the Dalit children of India.

*The event consists of a **50 km walk**, which I will be doing (there are shorter walks for families etc.) on Saturday 1 August 2009.*

There are many ways you can get involved:

- Register to do a walk and raise funds

*-**Sponsor me** or someone else doing the walk*

-One of the many volunteer roles either in preparation for the event or on the day which can be found at <http://www.walk4charity.com/QLd/volunteers.asp>

The 50km walk starts from Teralba Park, Mitchelton and heads north into Scarborough, finishing at Owens Park. It costs \$55 to register as a walker. A registration fee is charged to cover all the costs of the event so that 100% of the funds raised in sponsorship and donations go directly to the Dalit children of India.

If anyone does register for the walk, a team has been set up called "Fernvale Community Church". This is what they should register under if participating.

If you need any more information please visit www.walk4charity.com or contact me on 5427 0315.

David



Children are required to carry heavy loads during harvest season



At Bridge of Hope Centres, children receive nutrition, medical aid, education and the Gospel

<p>Regular Events</p> <p>Church Sundays Set up 8.30 am Group Prayer 9 am, Church 9.30am</p> <p>Prayer Meeting Saturdays 7.30 am at Gleaners</p> <p>Home Group Wednesdays 7 pm for 7.15 pm</p> <p>Ladies Home Group Wednesdays 9.15 am-11 am Ann Muller's, 22 Christella Crt, Fernvale</p> <p>Gleaners (Food & Ministry) At house - 1454 B'ne Valley Highway, Fernvale, between produce shop & tavern Wed: Unpacking and shelving Open for shoppers on Fridays 10-12 Contact: Ann & Greg Muller 5426 7878</p> <p>Kids Club (primary school – Grades 1 to 7) Fridays 4.30 pm - 6 pm Cost \$3 Games, singing, craft, Bible teaching etc Contacts: Ailsa 5426 1037 or Joanne 5426 7994</p> <p>Fernvale Youth Ministry (FYM) (high school & young adult) \$2.00 Fridays 8 pm - 9.30 pm (unless otherwise arranged) Contact: Steven 5426 7878 or Richard 5426 1037</p>
--

Loving Lord, please keep us fixed on you so we may receive all the benefits of your grace and follow your will for our lives.

Wednesday Night Home Group

From Wednesday May 27th, the Home Group meets at Michael Lipp's home at 77 Banks Creek Road Fernvale. Enquiries – phone Home Group Leaders Paul & Meg on 5427 9697.



Wednesday Morning Ladies Bible Study

Ladies, it is a great time to start meeting with us as we study God's Word, share and pray together.. The meeting is hosted and led by Ann Muller at her home 9.15am start time at 22 Christella Court, Fernvale. Ph 5426 7878

Monthly Men's Breakfast

1st Saturday of each month at Rosewood RSL. Come and be encouraged by guest speakers. \$5.00. See or ring Hans (5426 1037) for more information.



Saturday Prayer at Gleaners Every Saturday 7.30 am at Gleaners, Main Street, Fernvale

Lowood Christian Church joins with us for prayer on Saturday mornings. God has already started to pour out His blessings as he promised He would when people come together in unity.

Counselling/Healing Needs?

- Pastor Greg Muller 5426 7878
- Ipswich Healing Rooms: Braeside House, 17 Brisbane St, Ipswich, Ph 3202 4484 or 0423 512 63
- 96.5 Family Radio Care Line 3831 1965
- Lifeline 24hr telephone counselling 131114
- Kids Help Line 1800 55 1800
www.kidshelpline.com.au
- Drug Arm 1300 656 800 www.drugarm.com.au
- Beyond Blue Info line 1300 22 4636 (for depression, anxiety and related substance misuse disorders) www.beyondblue.org.au

Answers to Kids Page:

1. The time has come....The kingdom of God is near. Repent and believe the good news!
2. 48 times

SERMON NOTES

Bible reference/s used:

Main theme of message:

Something I learnt today that I didn't know before:

How can I apply this to my life?:

Fernvale Community Church Vision Statement

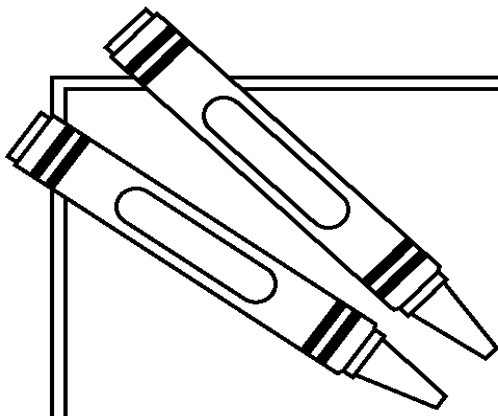
To produce fully devoted followers of Christ who actively live as change agents in our communities bringing transformation throughout the Brisbane Valley.

Scripture Union (Qld) School Holiday Camps



Each year, thousands of SU Qld volunteers run 70 camps to provide children and teenagers with a fun-filled, positive time away from home. Visit www.suqld.org.au or ring Brisbane Office Tel 3632 2222

As we gather to worship, Lord, may every heart be open to your Spirit and the guidance you have for us today.



Just for **KIDS**

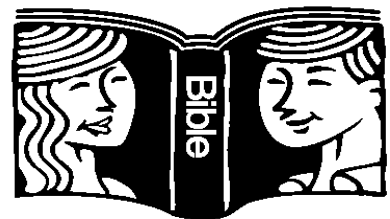
★ **EXTRA! EXTRA!** ★ READ ALL ABOUT IT!

Many people read their local newspapers, but Jesus says we should read and share God's Word daily! Below, hidden among the words READ YOUR BIBLE, is a message from Jesus recorded in Mark 1:15, NIV. Circle those words and write them on the lines below. (For extra fun, count how many times the word "Bible" appears in the article!)

LOCAL EDITION BIBLE TIMES TODAY

GOOD NEWS!

READ YOUR BIBLE THE READ YOUR BIBLE READ YOUR
BIBLE TIME HAS READ YOUR BIBLE READ YOUR BIBLE
READ YOUR BIBLE READ YOUR BIBLE COME READ
YOUR BIBLE READ YOUR BIBLE READ YOUR BIBLE READ
YOUR BIBLE READ YOUR BIBLE READ YOUR BIBLE THE
READ YOUR BIBLE READ YOUR BIBLE READ YOUR BIBLE READ YOUR BIBLE
KINGDOM READ YOUR BIBLE READ YOUR BIBLE READ YOUR BIBLE OF READ YOUR
BIBLE READ YOUR BIBLE GOD READ YOUR BIBLE READ YOUR BIBLE IS READ YOUR
BIBLE NEAR READ YOUR BIBLE READ YOUR BIBLE READ YOUR BIBLE READ YOUR
BIBLE REPENT READ YOUR BIBLE READ YOUR BIBLE AND READ YOUR BIBLE READ
YOUR BIBLE BELIEVE READ YOUR BIBLE READ YOUR BIBLE READ YOUR BIBLE READ
YOUR BIBLE THE READ YOUR BIBLE READ YOUR BIBLE READ YOUR BIBLE READ
YOUR BIBLE GOOD READ YOUR BIBLE READ YOUR BIBLE READ YOUR BIBLE READ
YOUR BIBLE NEWS READ YOUR BIBLE READ YOUR BIBLE READ YOUR BIBLE.



“

!”

MARK 1:15, NIV

As we gather to worship, Lord, may every heart be open to your Spirit and the guidance you have for us today.